

Avanti

AVANTI PRODUCTS DIVISION OF THE MACKLE CO. INC.
P.O. BOX 520604 - MIAMI FLORIDA 33152

USER'S GUIDE SINGLE DOOR REFRIGERATOR

Record serial number and model number of this
appliance in space provided below.

Serial Number

115

Model Number 778 YW

Retain these numbers for reference



Contents

Pages

Parts and Features	2
Installation / Safety Instructions	3
Setting the Controls	3-4
Defrosting	4
Changing the Light Bulb	5
Vacation and Moving Care	5
Cleaning Your Refrigerator	6
Assistance or Repair Service	7
Electric Circuit Diagram	8
Changing Reversible Doors	9-10
Warranty	11

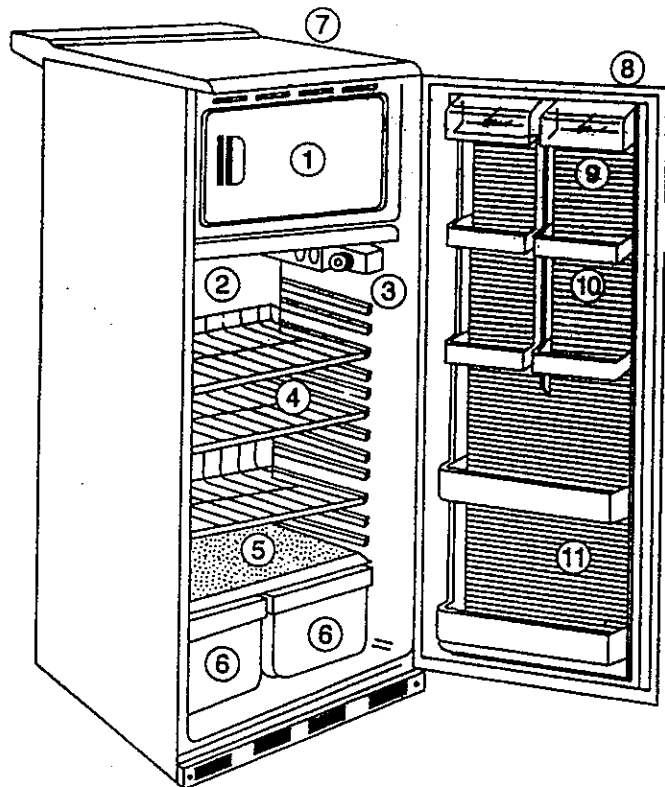


FIGURE 1

1. Freezer Door
2. Water Collection Tray
3. Thermostat box
4. Wire Shelf
5. Transparent Vegetable Shelf
6. Vegatable Storage Compartment
7. Upper Plate
8. Refrigerator Door
9. Dairy Compartments
10. Door Shelf
11. Bottle Shelves

Important Safety Instructions

⚠ WARNING

To reduce the risk of fire, electrical shock, or injury when using your refrigerator, follow these basic precautions:

- * Read all instructions before using the refrigerator.
 - * Child entrapment and suffocation are not problems of the past. Junked or abandoned refrigerators are still dangerous... even if they will 'just sit in the garage a few days'. If you are getting rid of your old refrigerator, do it safely. Please read the safety booklet from the Association of Home Appliance Manufacturers. Help prevent accidents.
 - * Never allow children to operate, play with, or crawl inside the refrigerator.
 - * Never clean refrigerator parts with flammable fluids. The fumes can create a fire hazard or explosion.
- * FOR YOUR SAFETY ***
DO NOT STORE OR USE GASOLINE OR OTHER FLAMMABLE VAPORS AND LIQUIDS IN THE VICINITY OF THIS OR ANY OTHER APPLIANCE. THE FUMES CAN CREATE A FIRE HAZARD OR EXPLOSION.

- SAVE THESE INSTRUCTIONS -

ELECTRICAL CONNECTION

RECOMMENDED GROUNDING METHODS

This appliance should be properly grounded for your safety.

The power cord of this appliance is equipped with a three-prong plug which mates with standard three prong wall outlet to minimize the possibility of electric shock hazard from this appliance.

* Do not, under any circumstances, cut or remove the third ground prong from power cord supplied with this appliance.

* Use of extension cords are not recommended.

The location you choose should be away from heat sources like stove, heater, or radiator.

Avoid installing your refrigerator in humid places (like next to sinks).

LEVELING

Place your refrigerator on a floor strong enough to support it when fully loaded.

Make your refrigerator stand level by adjusting the legs provided in case of uneven floors.

SETTING THE CONTROLS

Your refrigerator has only one control for regulating the temperature in the fresh food and in the freezer compartment. It is located on the upper right side of the lower section.

When the refrigerator is plugged in for the first time, set the control to 3. Temperature control adjustments range from 1 (warmest) to 6 (coldest).

In a day or two, you may decide if the control is set correctly. The setting indicated above should be correct for normal, household refrigerator usage. If you use the freezer section often, set the control to 6. The number six setting is recommended for short term usage only. The controls will be set correctly when milk or juice is as cold as you like and when ice cream is firm.

USE OF THE ICE CUBE TRAYS

An ice box is supplied together with an ice tray. For your ice requirements, fill approximately 3/4 of the tray after having washed it.

To eject ice cubes into the bucket provided, insert the ice tray and twist slightly until the pieces of ice fall.

If cubes are not used, they may shrink. The longer cubes are stored, the smaller they get.

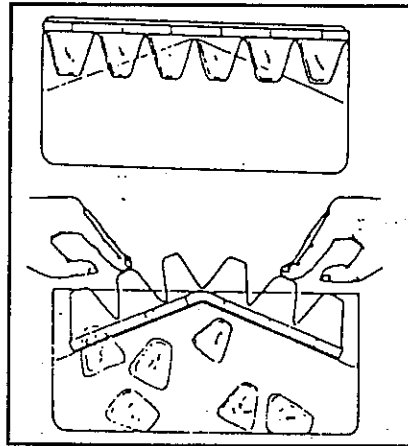


FIGURE 2

DEFROSTING

For the most efficient operation and minimum energy consumption, defrost freezer compartment when there is excessive frost on the wall of the freezer section (or reaches a quarter inch thick). If defrosting is not done for a long period of time (longer than 2 weeks) and the ice layer on the freezer wall reaches over a quarter inch (1/4) thick, remove food stored in freezer compartment and keep door open in order to defrost faster.

To start defrosting, push button at the center of the temperature control knob. The compressor will stop running and will automatically re-start once ice is melted.

During the defrost operation, you may let the water fall into a pot (see the sketch) by pulling the red discharge tab under the defrost pan. In this case, you do not have to remove the water collection tray. (Figure 3)

After the defrost operation, clean the water in the water collecting tray.

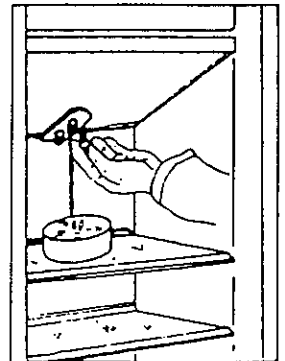


FIGURE 3

WATER COLLECTING TRAY

As seen in the figure below, you may place the water-collecting tray in the back or in the front, it is possible to keep colder air in the lower part of cabinet by placing it in the back. (Figure 4)

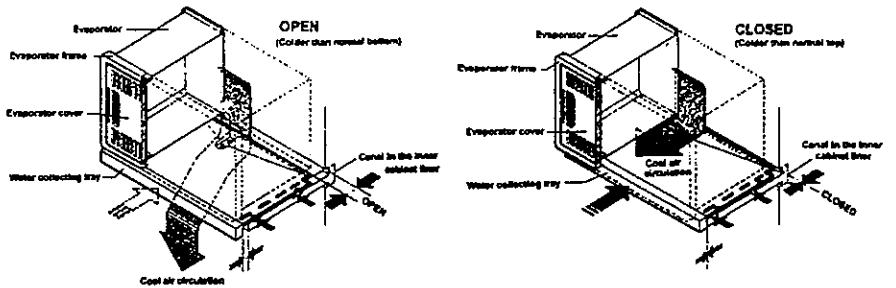


FIGURE 4

CHANGING THE LIGHT BULB

Before removing the light bulb, either unplug the refrigerator or disconnect the electricity leading to the refrigerator at the main power supply. Failure to do so could result in electrical shock or personal injury.

To change the refrigerator light:

- 1-Remove the bulb cover in front of the thermostat box. Notice there is a screw holding this cover.
- 2-Remove bulb.
- 3-Replace with a 15 watt appliance bulb.
- 4-Reconnect refrigerator to power supply.

Note: Be sure to replace bulb with one of the same size and shape.

VACATION AND MOVING CARE

VACATION

Remove all the food if you are going for a month or more. Unplug the refrigerator and clean it. Rinse well and dry. Keep doors open far enough for air to get in. This will keep odor and mold from building up.

MOVING

Remove all food. Pack frozen in dry ice. Unplug the refrigerator and clean it thoroughly. Take out all removable parts. Wrap all parts and tape them together so they do not shift and rattle. Screw in the leveling legs and tape the doors shut. Be sure refrigerator stays in upright position during actual moving and in van. Protect outside of refrigerator with blanket.

When you get to your new home, refer to page 3.

CLEANING YOUR REFRIGERATOR

Your unit should be cleaned about once a month to prevent odors from building up. Spills should be wiped out right away.

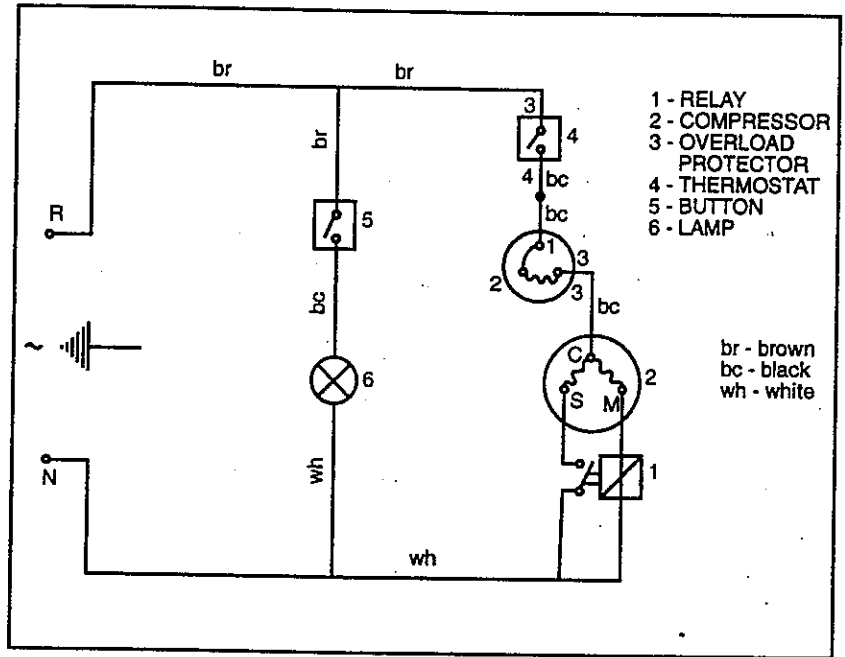
To clean your refrigerator, turn the temperature control to off, unplug it and take out all removable parts, according to the following instructions.

PART	WHAT TO USE	HOW TO CLEAN
Removable parts (shelves, crisper, etc.)	Sponge or cloth with mild detergent and warm water	* Hand wash, rinse and dry thoroughly.
Outside	Sponge, cloth or paper towel with mild detergent, warm water and an appliance wax (or good auto paste wax)	* Wash outside of cabinet. Do not use abrasive or harsh cleaners. * Rinse and dry thoroughly. * Wax painted metal surfaces at least twice a year. Apply wax with a clean soft cloth. Waxing painted metal surfaces provides rust protection. Do not wax plastic parts.
Inside walls (freezer should be allowed to warm up so cloth won't stick)	Sponge, soft cloth or paper towel with baking soda or mild detergent and warm water	* Wash with mixture of warm water and - mild detergent or - baking soda (2 tablespoons (26 g) to 1 quart (.95 L) of water). * Rinse and dry thoroughly.
Door liners and gaskets	Sponge, soft cloth or paper towel with mild detergent and warm water	* Wash, rinse and dry thoroughly. DO NOT USE cleaning waxes, concentrated detergents, bleaches or cleaners containing petroleum on plastic parts.
Plastic parts (covers and panels)	Sponge, clean sponge or soft, clean cloth with mild detergent and warm water	* Wash, rinse and dry thoroughly. DO NOT USE paper towels, window sprays, scouring cleaners, or flammable fluids. These can scratch or damage material.
Condenser coils	Vacuum cleaner with extended narrow attachment	* Vacuum coils when dusty or dirty. Coils may need to be cleaned as often as every other month.
Floor under refrigerator	Floor cleaners	* Roll refrigerator out only as far as the water supply line allows. * Clean floor. * Roll refrigerator back into place. * Check to see if the refrigerator is level

AVOID UNNECESSARY SERVICE CALLS

Before calling a serviceman, check the chart below for problems you can fix without difficulty and save you the cost of a service call.

PROBLEM	POSSIBLE CAUSE	SOLUTION
Your refrigerator will not operate	The power supply cord is not plugged into a live circuit with proper voltage.	Firmly plug power cord into a live circuit with proper voltage.
	A household fuse has blown or circuit breaker tripped.	Replace household fuse or reset circuit breaker.
	The Refrigerator Control is not set correctly.	Set 'Refrigerator' Control to a numbered setting.
Unfamiliar sounds or a rattling/jingling noise.	There is something on top of or behind the refrigerator.	Remove item from on top of or behind the refrigerator.
	The sounds are normal.	New features on your new refrigerator make new sounds.
The lights do not work.	A household fuse has blown or circuit breaker tripped.	Replace household fuse, or reset circuit breaker.
	The power supply cord is not plugged into a live circuit with proper voltage.	Firmly plug power cord into a live circuit with proper voltage.
	The bulb is burned out.	Replace bulb.
The motor seems to run too much.	The condenser coils are dirty.	Clean the coils.
	It is hot outside or in the room.	On hot days, or if the room is too warm, the motor naturally runs longer.
	The door has been opened frequently.	Open the door as few times as possible.
	A large amount of food has been put in at one time.	The motor will run longer in order to cool down the interior when food is added.



Changing Reversible Doors:

This refrigerator has been built with the door hinges on the right. If you wish to change the opening direction, follow instructions below.

1- Remove the upper rounded top (1). Using a sharp object, pry out the 2 plug buttons and remove the 2 PHILLIPS screws (2). Remove the 2 PHILLIPS screws (3) which connect the upper hinges to the upper rounded top and place it on a padded surface to prevent scratching.

2- Remove the bolts (4) of the upper hinge. Carefully lift the door (5) and place it on a padded surface to prevent scratching.

3- Remove the pivot fixing part (6) from the freezer section by using a screwdriver.

4- Remove the freezer section door (7) by taking off the freezer section door pivot (8).

5- Place the freezer section door (9) in its new place by turning it opposite of the previous position.

6- Place the door pivot (10) of the freezer section in its place, then fit the pivot fixing part.

7- Remove the kick plate (11) by taking out the screws at each side of it with a Phillips screwdriver.

8- Remove the lower hinge (12) from the right side and transfer it to the left end.

9- Fit the kick plate (13) into its place.

10- Remove the door handle (14) by taking out the screws. Remove the plug buttons and transfer them to the other side (15).

11- Mount the door handle (16) to the other side.

12- Set the door (17) to its place making sure the hinge pin enters the bushing in the door bottom section.

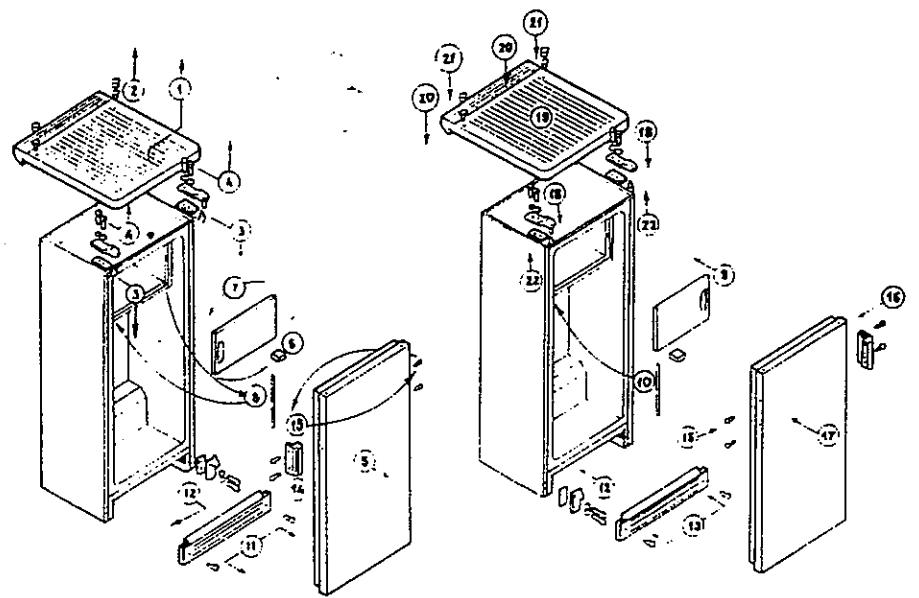
13- While holding the door in the closed position, loosely secure the upper hinge (18) using the bolts removed in STEP 2.

14- Before tightening these bolts, make sure the top of the door is level with the cabinet top. Avoid over-tightening these bolts. Tighten both until they are just snug, then turn another one-half turn.

15- Replace the upper rounded top (19).

16- Tighten the upper rounded top screws (20) and press the plug buttons (21).

17- Fit and tighten the screws (22) which connect the upper hinges to the upper rounded top.



REFRIGERATOR AND FREEZER PRODUCT WARRANTY

FULL ONE YEAR WARRANTY

For the first year after purchase and use within the continental United States by the original consumer. Avanti Product, Inc., will at its option, repair or replace any part of the AVANTI Refrigerator or Freezer which proves to be defective in material or workmanship under normal use. In commercial or rental application the warranty period is ninety (90) days. During this period Avanti Products will provide all parts and labor necessary to correct such defects free of charge, so long as the appliance has been installed and operated in accordance with the written instructions furnished with the appliance.

The customer will be responsible for cost of service calls resulting from problems considered Normal Responsibilities of User (See paragraph so entitled)

To obtain service on your Avanti Refrigerator or Freezer refer to the Directory of Avanti Authorized Appliance Service Stations and call the closest company for inspection and repair of the appliance under the terms of this warranty.

All Avanti Appliances of 3.5 cubic foot capacity or less must be brought/sent to the applicable service shop for repair.

LIMITED SECOND THROUGH FIFTH YEAR COMPRESSOR WARRANTY

For the second through fifth years of use Avanti Products will make available a replacement compressor as may be required due to failure. In commercial or rental use this additional limited compressor warranty in one (1) year and nine months. Any and all labor charges for determination of cause of failure, installation of the replacement compressor and transportation / handling charges for shipment of the replacement compressor will be the responsibility of the user.

Cartage charges for moving the appliance to a service shop (as may be required) and back to the user's home will also be the user's responsibility.

EXCLUSIONS

Avanti Products shall not be responsible for content losses food or otherwise incidental or consequential damages resulting from the failure of the product to conform to any express or implied warranty. In addition, Avanti Products is not responsible for service calls which do not involve defects in material or workmanship or other external causes such as abuse, misuse, inadequate power supply or Acts of God.

Therefore, cost of replacement or repair of the following items, parts or labor, will not be considered warranty repairs:

- 1- Evaporator doors.
- 2- Evaporator door springs and / or-frames.
- 3- Inner door panels (Includes plastic door shelves) and chest freezer lid liners.
- 4- Door shelf rails and /or supports.
- 5- Vegetable crispers.
- 6- Vegetable crisper covers (glass or plastic).
- 7- Light bulbs and/or plastic housing.
- 8- Plastic cabinet liners.
- 9- Punctured evaporators which will void the warranty on the complete refrigerating system, i.e. compressor, condenser, evaporator and related tubing. This warranty does not apply in Hawaiian Island, U.S. Virgin Islands, Puerto Rico and/or any foreign country.

NORMAL RESPONSIBILITIES OF USER

- 1- Proper installation and use of the appliance in accordance with instructions supplied with the Refrigerator or Freezer.
 - 2- Replacement of light bulbs.
 - 3- Repair of damage to finish.
 - 4- Proper connection to power supply of sufficient voltage.
 - 5- Replacement of blown fuses.
 - 6- Repair of loose connections or defect in house wiring.
 - 7- Accessibility of the appliance to the service technician for repairs.
- The user must keep a copy of the Bill of Sale, or Payment Record verifying the purchase date to validate this warranty.

**AVANTI PRODUCTS, DIVISION
OF THE MACKLE CO., INC.
P.O. BOX 520604-MIAMI
FLORIDA 33152**